

## ONEFLOR Installation Instructions ECOLOCK70/LOOM+LOCK floating installation

The **ONEFLOR ECOLOCK70** is a **high-quality**, resilient design flooring in various formats and designs. For more information, please refer to the technical specifications in our product collections. Below we would like to inform you about the special requirements for a successful installation of **ECOLOCK70**.

### IMPORTANT GENERAL INFORMATION:

Before processing, make sure that the delivered goods are in perfect condition. Goods that have been cut to size or laid are not subject to complaint. Before installation, the goods must be checked for color and batch uniformity. Only install planks/tiles of the same batch in one room. The relevant national standards, guidelines and regulations, together with the technical documents and generally acknowledged rules of the trade, apply when installing the ECOLOCK70. Slight differences in colour, gloss level and structure are production-related and are not a reason for complaint. Mix material when laying from 3 packages.

### SUBSTRATE CONDITION:

The substrate must be clean, level, load-bearing and permanently dry. The maximum height tolerance must not exceed 2-3mm per linear meter or 1mm per 10cm for tile edges.

### SUBSTRATES :

We recommend the use of ONEFLOR ECOLOCK70 when laying on:

- Parquet, precast wood screeds and other wood-based materials
- Old and new screed

Substrates not listed require approval by ONEFLOR.

Textile floor coverings and needlefelt must be removed.

Generally, the removal of old floor coverings is recommended to counteract adverse reactions (Possibly occurring mold formation, insufficient compressive strength)

If you want to install ECOLOCK70 on a hot water underfloor heating system, bond the floor over the entire surface. We recommend the use of low-emission and solvent-free dispersion adhesives, e.g. EC1 or RAL (Blue Angel). For more information, please refer to the manufacturer's instructions. Wet-bed adhesives are preferable to pressure-sensitive adhesives.

### Substrates not listed require the approval of ONEFLOR-EUROPE.

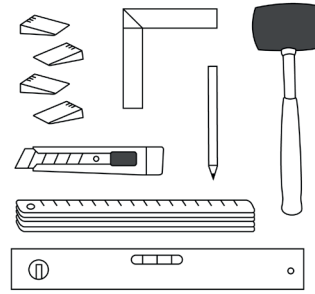
**Notice** :The flooring installer must check the subfloor's readiness for installation before installing the flooring and raise any concerns. Especially in the case of:

- larger unevenness
- insufficiently dry subfloor.
- insufficiently firm, too porous and too rough surface of the subfloor,
- contaminated surface of the substrate, e.g. by oil, wax, varnish, paint residues,
- incorrect height of the surface of the substrate in relation to the height of adjacent components,
- unsuitable temperature of the substrate,
- unsuitable room climate,
- missing heating protocol in case of heated floor constructions,
- missing protrusion of the edge insulation strip,
- missing marking of measuring points in case of heated floor constructions, missing joint plan.

When installing ECOLOCK70 on underfloor heating systems, EN 1264-2 (warm water underfloor heating systems and components) must be taken into account. The surface temperature should not exceed 27°C on a permanent basis. If other underfloor heating systems are used, please consult the application engineering department of ONEFLOR-EUROPE. To prevent rot damage to wood-based subfloor constructions (e.g. wooden beam ceilings), ensure or guarantee sufficient rear ventilation of the construction.

## TOOLS FOR LAYING:

- Laying knife with trapezoidal blade /jigsaw
- Folding rule / tape measure / spirit level 2 m
- White rubber mallet
- Spacer
- Pencil / scriber
- Set square



## SQUARE ACCLIMATIZATION:

ONEFLOR ECOLOCK70 as well as all required auxiliary materials must be acclimatized at least 48 hours before installation in small stacks (max.3) in the rooms to be installed or adjacent rooms under the following conditions!

Room climatic conditions before, during and after laying:

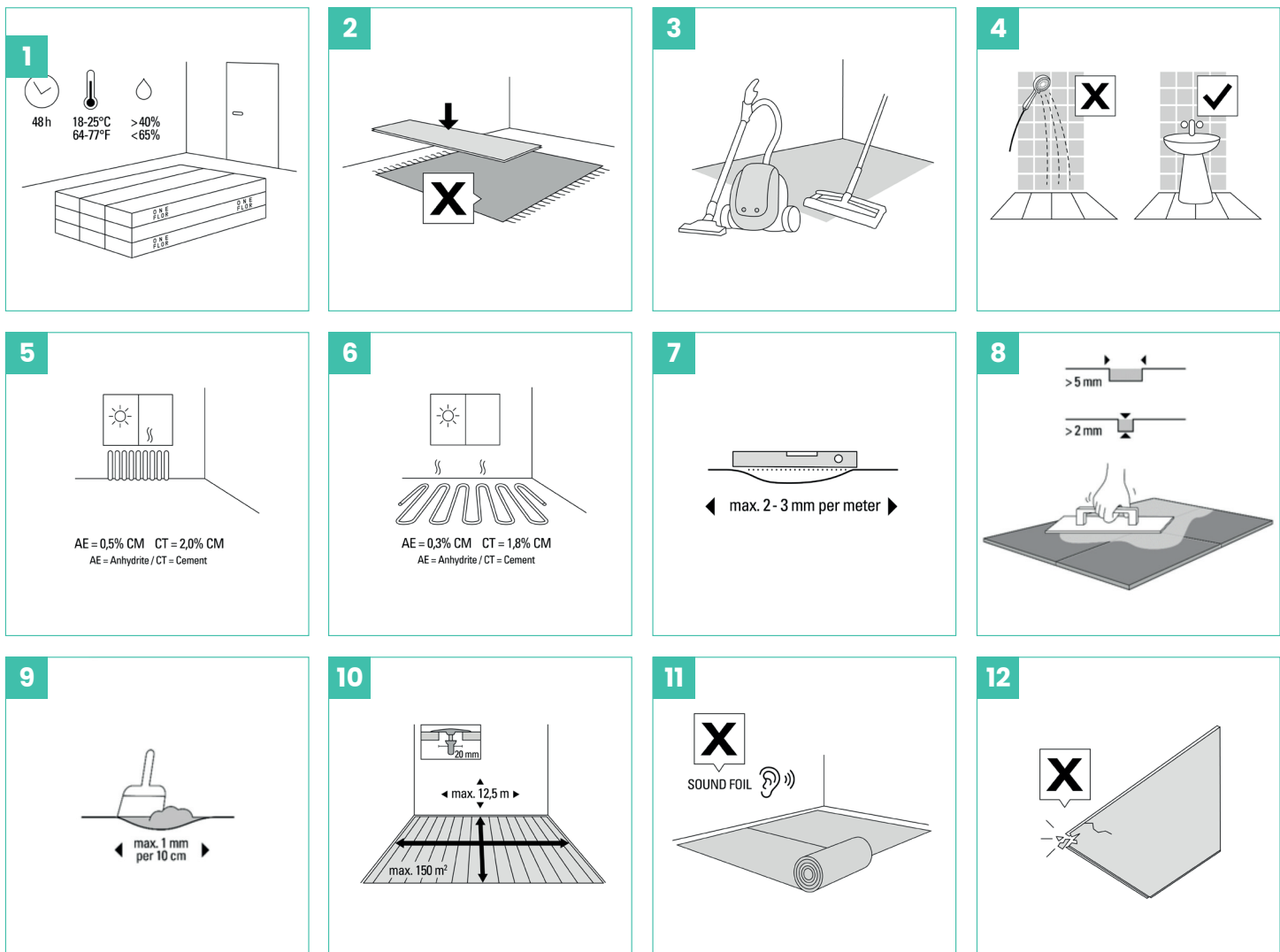
- Room air temperature > 18°C (but not more than 26°C).
- Floor temperature > 15°C (but not more than 22°C)
- Relative humidity 40- 65%

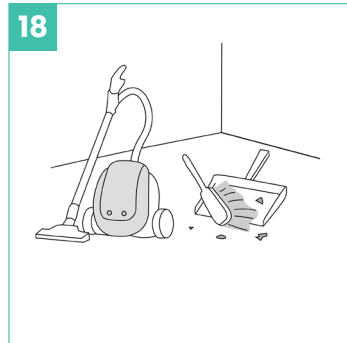
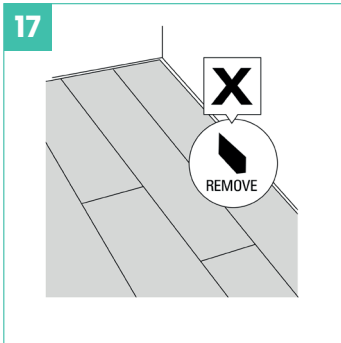
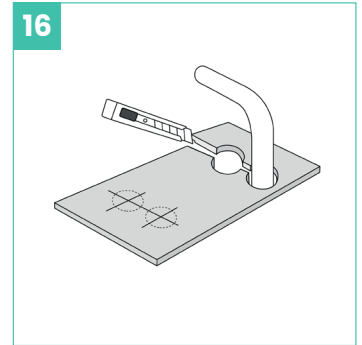
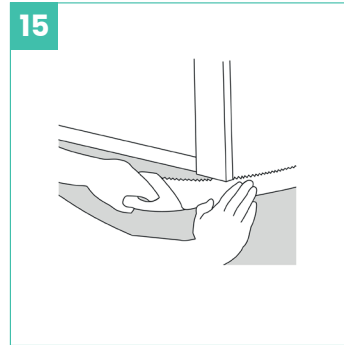
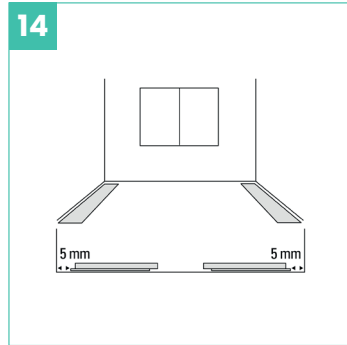
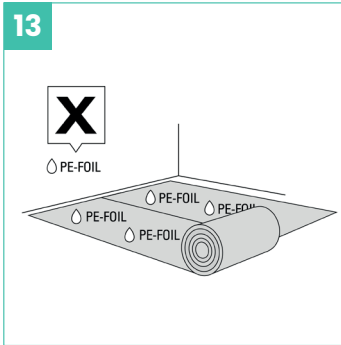
It must be ensured that constant room climate conditions prevail during both the acclimatization and the installation. The above-mentioned room climate must be maintained for at least 72 hours before, during and after the installation of the covering.

Under ECOLOCK70 you do not install any underlay material.

Due to the generally too low compressive strength, the use of an underlay mat under our ECOLOCK70 leads to the exclusion of the warranty. The use of PE foils and unsuitable underlays can lead to the exclusion of the warranty in the event of damage.

## The installation of ONEFLOR ECOLOCK70





## START LAYING

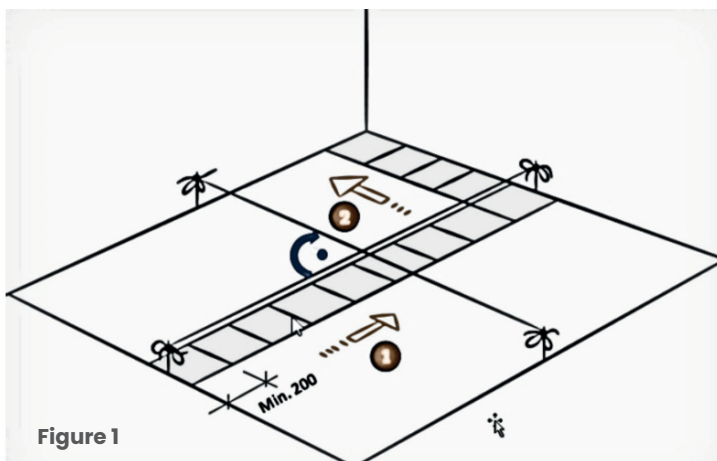


Figure 1

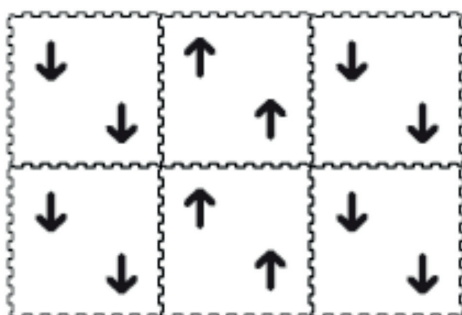
In order to achieve an optimal laying result with as little material waste as possible, it is recommended to measure the area to be covered and to divide it according to the material format and laying pattern, measure the area to be covered and divide it according to the material format and installation pattern. In order to achieve a visually appealing installation pattern, we recommend that you measure out the room. First determine the centre of the longest side.

Mark the same point on the opposite wall. Mark a chalk line between these points using a chalk line to determine the centre line on the floor and then measure along this centre line to determine the centre of the room. At the centre point, draw a line exactly at right angles to the first line.

Determining the centre of the room Adjusting the centre lines Loosely lay a row of tiles from the centre line to the side wall to determine the distance remaining for the border. If the resulting distance is too small, move the starting point along the centre line. Repeat this step also in the longitudinal direction of the room. If desired, this can also be easily calculated using the measurements and without the aid of tiles. Lay the first row of tiles along the drawn centre line. Continue with the other rows, using the first row as a guide.

- Make sure there is an expansion joint of 5-10mm all around, depending on the size of the room.

### ATTENTION \*\* Always lay the tiles in opposite directions \*\*.



#### Observe the direction of the arrow on the back of the tiles.

- Use a rubber mallet for locking, thus ensuring a clean installation and a tight connection of the installed elements
- Installation with PU adhesive (two-component adhesive) may be necessary in areas likely to be subject to heavy loads from heavy objects (transport trolleys or forklift trucks weighing more than 2,000 kg) or with significant temperature fluctuations ( $\Delta >25^{\circ}\text{C}$ ).

The last installation row should correspond to half a panel width if possible. Remember the 5-10 mm wide movement joint.

### Movement profiles in the area:

Rooms with an uninterrupted area up to 150m<sup>2</sup> can be laid without joints, taking into account double the edge distance (approx. 10mm). A side length of approx. 12,50 m should not be exceeded. Suitable movement profiles should be used for very narrow, long rooms. Room areas that are interrupted by rising building components (pillars, partition walls, doorways, etc.) should be separated by placing movement joints (at least 10mm, depending on the size of the area) at the height of the building components.

When installing skirting boards, transition or end profiles, it must be taken into account that the skirting boards or profiles must never be fastened to the floor covering! Skirting boards with circumferential silicone joints, which fix the floor, lead to the exclusion of the guarantee

### Building expansion joints must be taken over.

#### Important notes on the completion of the installation

- Remove all spacers
- The ONEFLOR ECOLOCK70 must not be fixed on site at any time.

Neither must the flooring be fixed to the subfloor or to furniture Kitchenettes, stoves or other fixed installation parts.

Also observe a distance of 5mm to all fixed objects in the room, such as pipe ducts, door frames, etc.!

This movement joint must not be filled with silicon sealant, electric cables or similar!

### SPECIAL FEATURES AND EXCEPTIONAL SITUATIONS

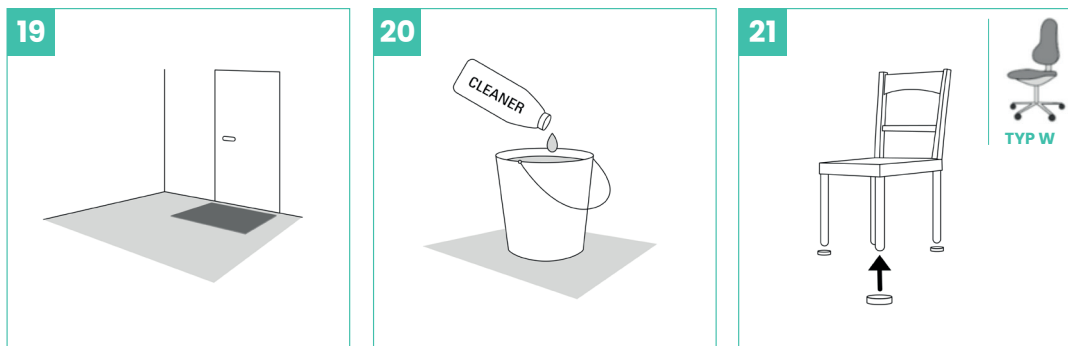
- In conservatories or similar rooms with large-scale overhead glazing, Floor-to-ceiling windows to the south the use of ONEFLOR ECOLOCK70 should be regarded as critical due to extreme fluctuations in the room climate and requires separate coordination and approval by ONEFLOR-EUROPE.
- When using permanently elastic sealants, we recommend first applying a joint sealing foam cord to the joint areas and then filling them with acrylic compound to create a two-sided bond. Permanently elastic sealed joints are to be regarded as maintenance joints and must be regularly checked for functional capability and renewed if necessary.
- In order to prevent material changes/damage, sufficient shading must be provided and an edge distance of 10mm must be maintained when laying in areas with strong sunlight.
- Our ONEFLOR design flooring meets the highest quality requirements in many respects. This also applies to the light fastness according to EN 105- B02. However, a standard test can never simulate the intensity of natural UV light, so partial color changes or fading may occur in areas with intense UV light incidence and without sufficient shading.
- A sufficiently dimensioned «radiation barrier» (e.g. glass or metal base plates) must be provided at fireplaces and tiled stoves. The size varies depending on the heating capacity of the fireplace or tiled stove. Please observe the specifications of your stove builder / chimney sweep here.

The ONEFLOR ECOLOCK70 must be decoupled from all permanently installed furniture or furnishings, e.g. kitchen units, ovens, etc.

In the case of furnishings with high static pressure loads, sufficient load distribution (e.g. load distribution plates) must be provided according to the weight.

### Please use only suitable chair castors type W

### CLEANING AND CARE:



Please refer to our detailed cleaning and cleaning agent recommendations at [www.oneflor-europe.com](http://www.oneflor-europe.com)

With the publication of these installation instructions (as of 12/2021), all previous versions lose their validity